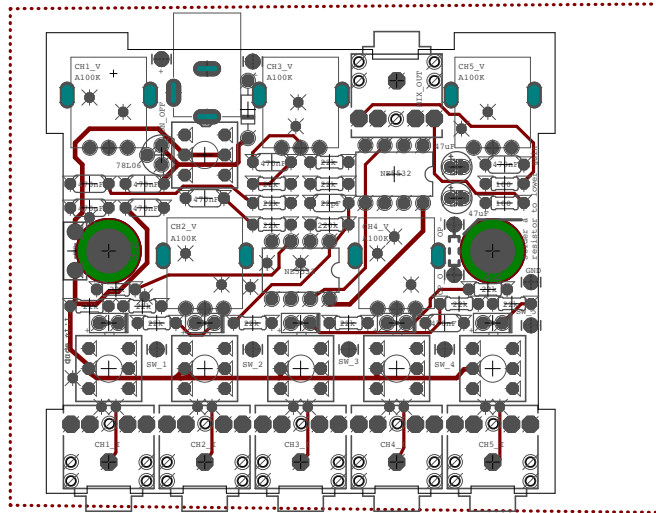
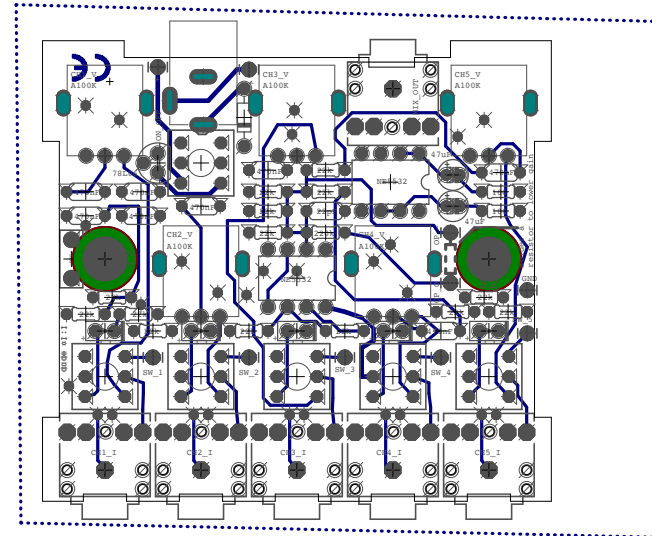


# DUDE v1.1 Board

Top



Bottom



# DUDE v1.1 Schematics

