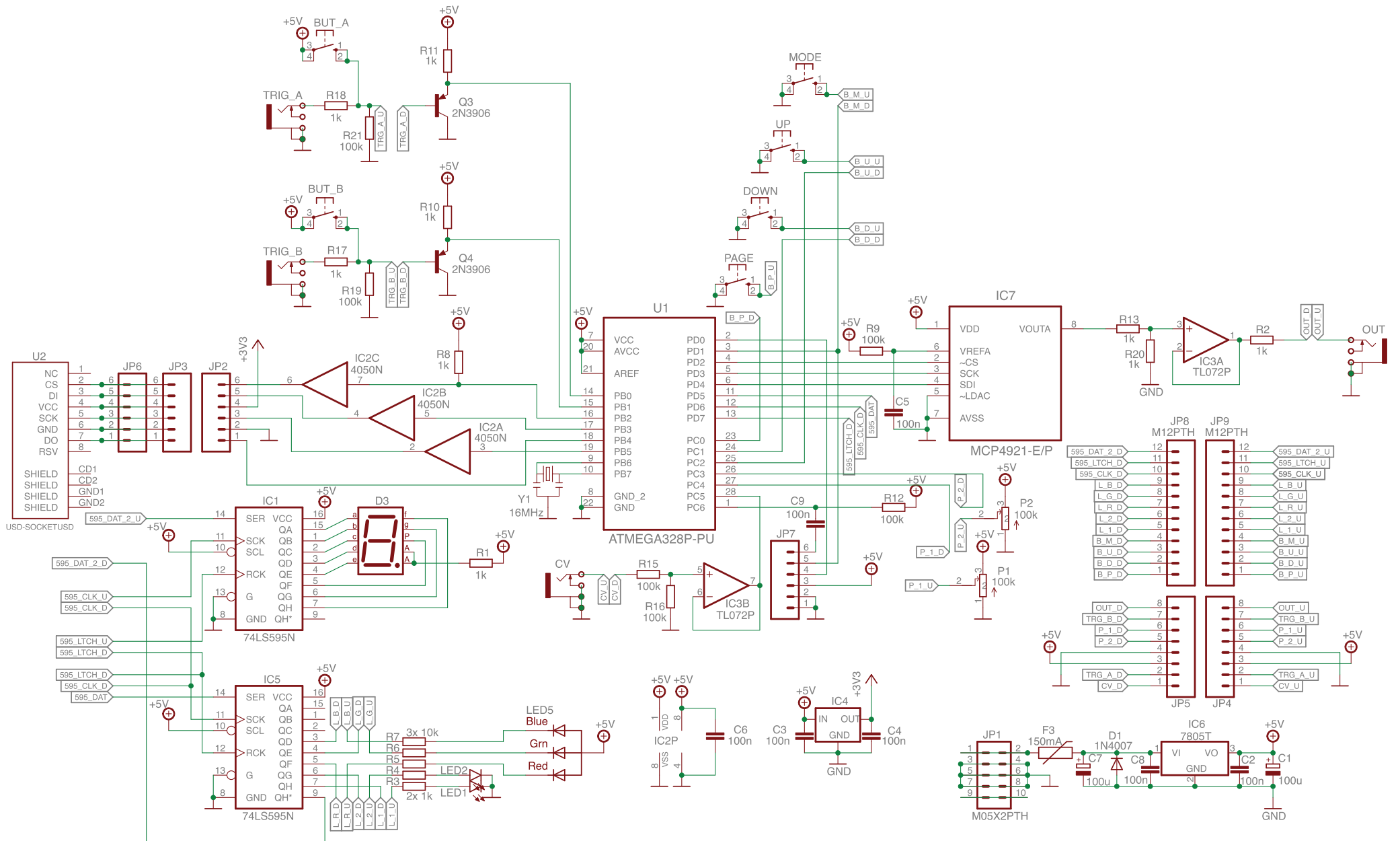


GRANDPA 1.0 Schematic



Top Board

Names

Values

Front

Back

