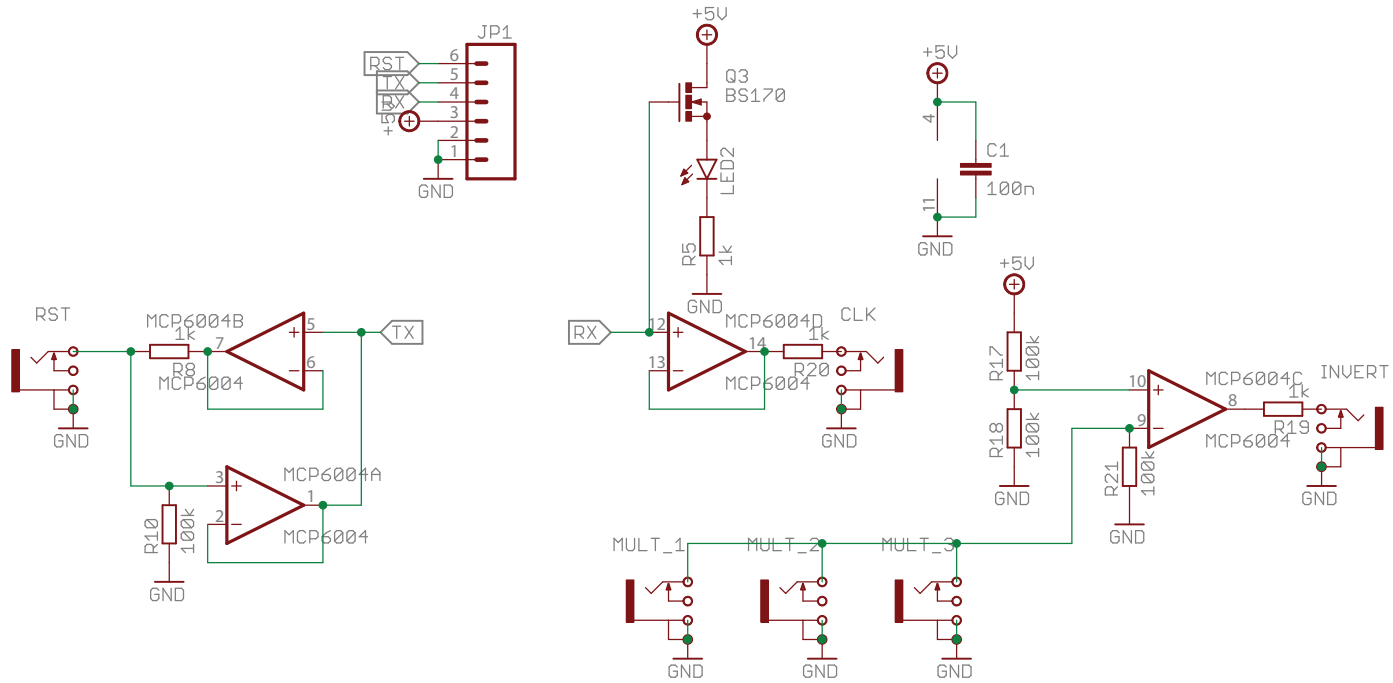
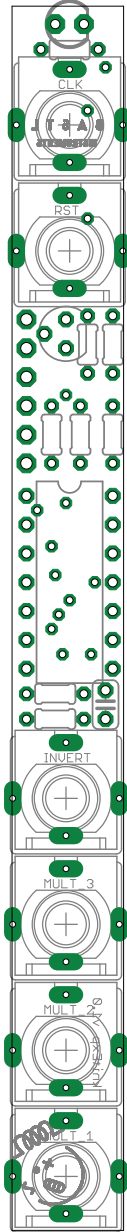


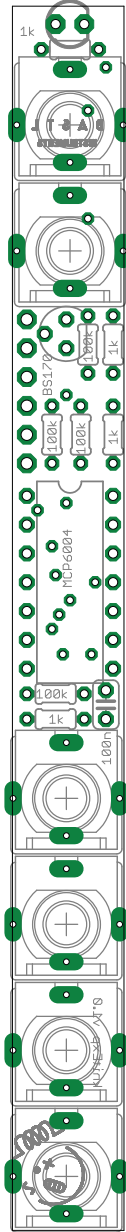
# KNITRIDER Expander 1.0 Schematic



Names

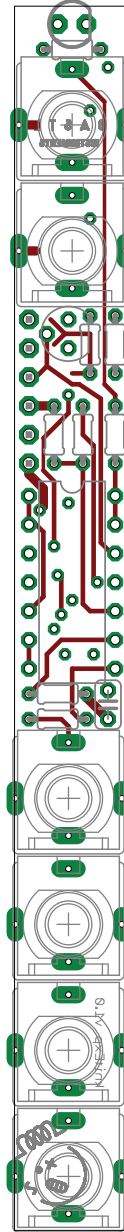


Values



Board

Front



Back

