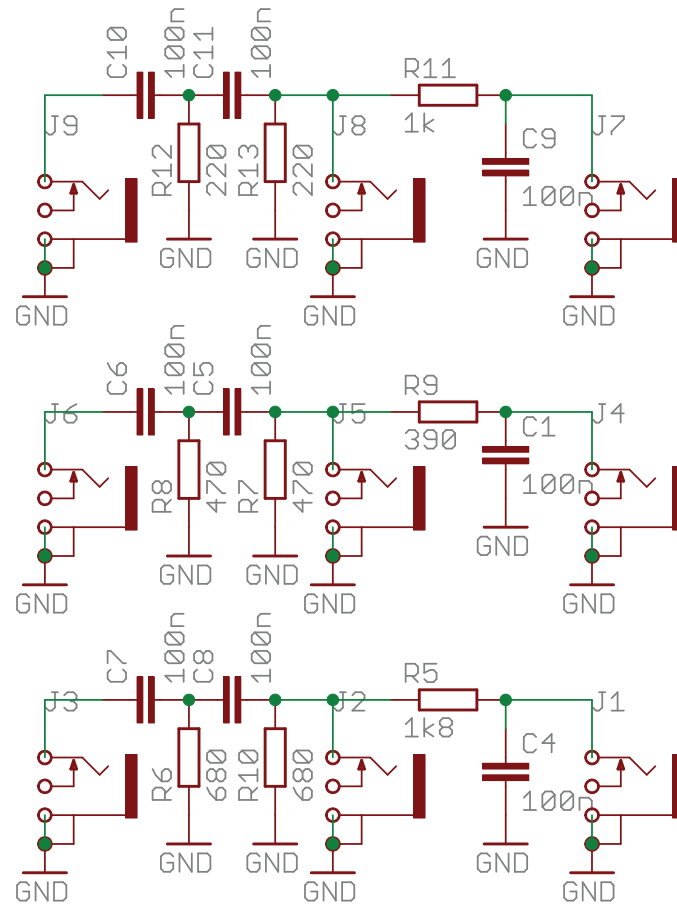


PROPUST 1.0 Schematic



Board

Names

Values

Front

Back

