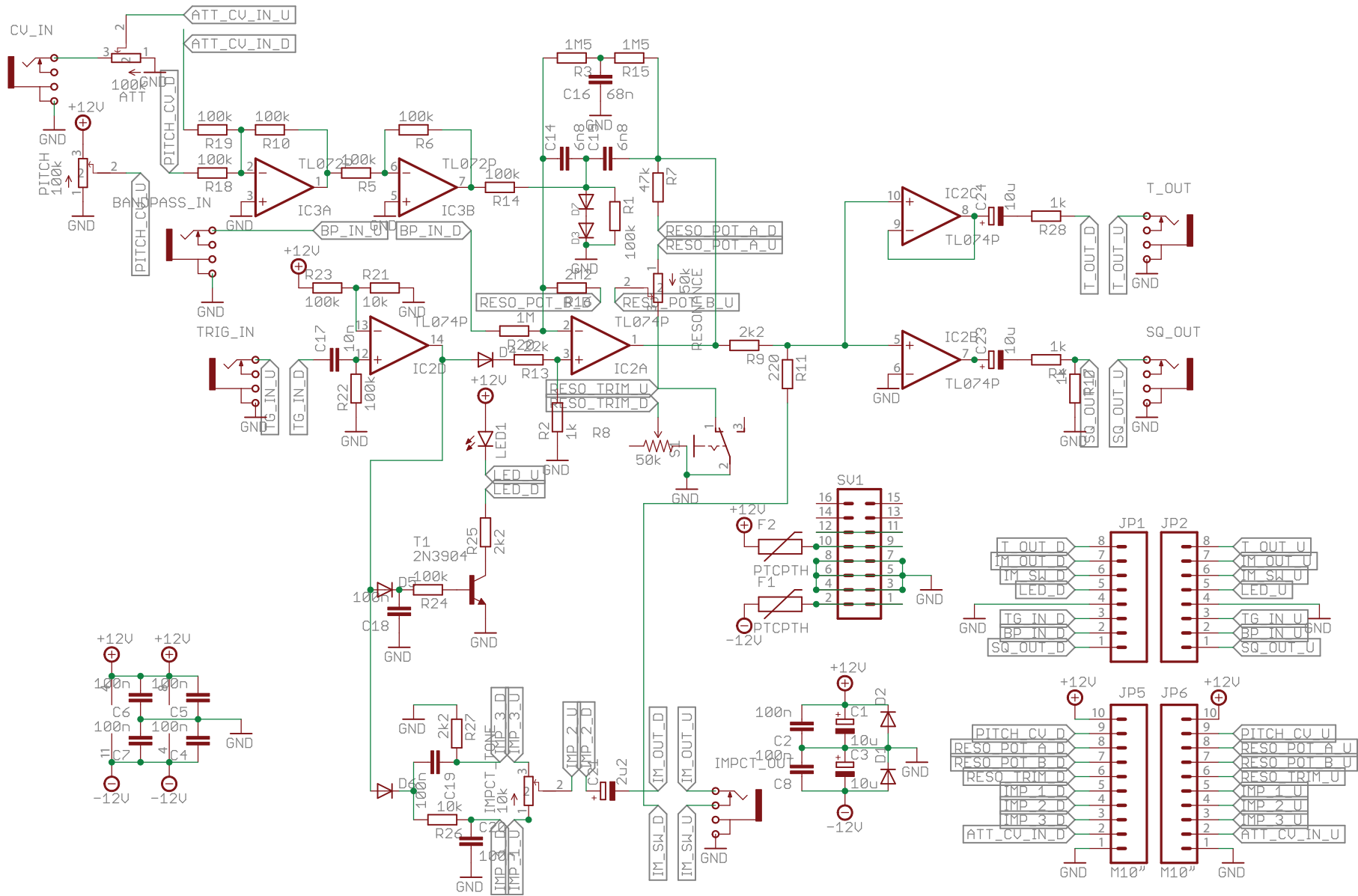


# TEA KICK 1.0 Schematic



# Top Board

